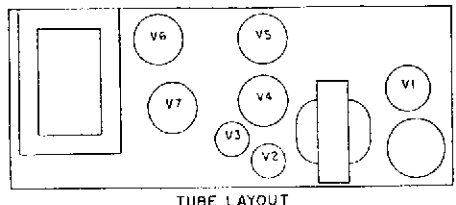
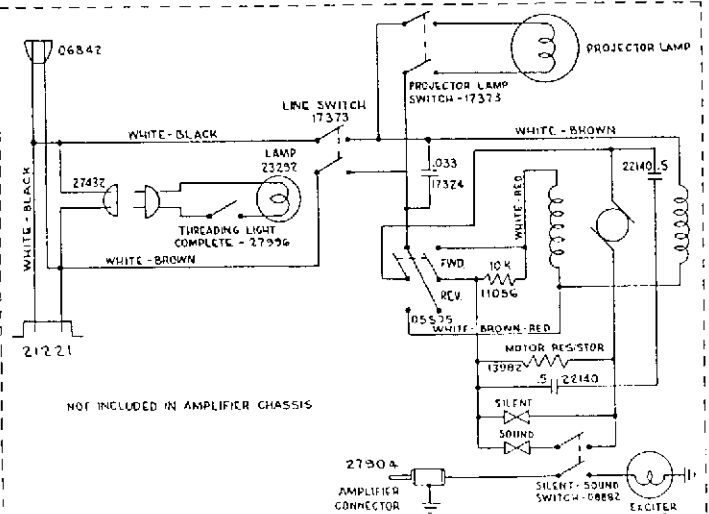
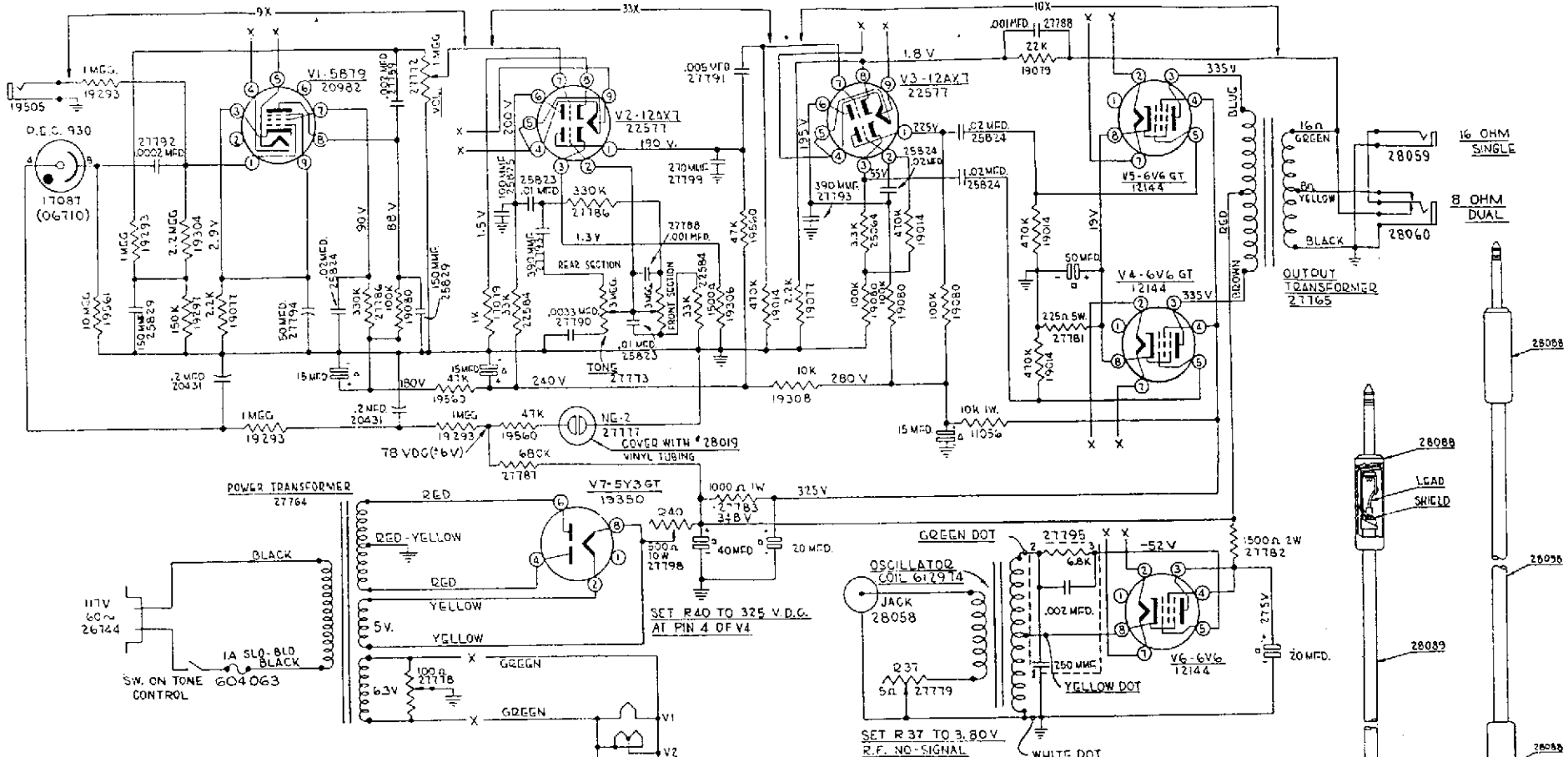


M-1

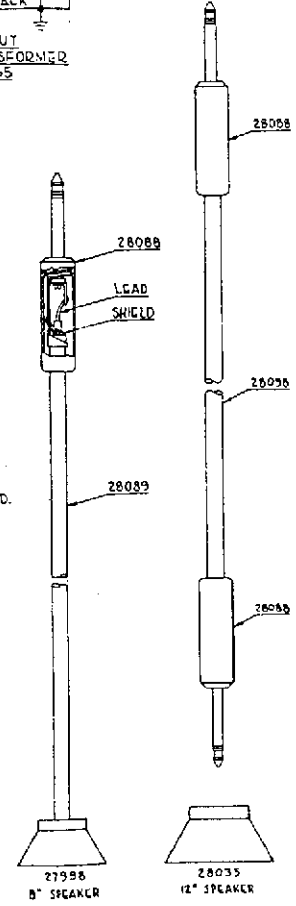
STAGE GAINS



WIRE COLOR CODE

GROUND	BLACK	CATHODE	YELLOW
FILAMENTS	BROWN	CONTROL GRIDS	GREEN
B +	RED	PLATE	BLUE

NOTE:
 ALL RESISTORS 1/2 WATT UNLESS OTHERWISE SPECIFIED.
 Δ - INDICATES CAPACITORS IN SAME CAN 27775.
 □ - INDICATES CAPACITORS IN SAME CAN 17776.
 D.C. REFERENCE VOLTAGES MEASURED WITH A V.T. VM FROM SOURCE TO GROUND AFTER SETTING R37 & R40 UNDER FOLLOWING CONDITIONS:
 LINE VOLTAGE 117 V.A.C. 60~
 VOLUME CONTROL - MAX.
 TONE CONTROL - NORMAL
 OUTPUT LOAD - 16 OHM
 OSCILLATOR LOAD - 5 OHM N.I.
 INPUT - NO SIGNAL
 GAIN MEASUREMENTS - 1 KC.



60 CYCLES

Bell & Howell Co. Chicago U.S.A.
 15 W. AMPLIFIER WIRING DIAGRAM
 FOR DESIGNS 385 (08855)
 DATE 11-10-41 SERVICE DRAWN 402

B+H
 385
 399